

## Premium Preparation 1200 mm Meat & Fish Processing/ Washing Table

ITEM # \_\_\_\_\_

MODEL # \_\_\_\_\_

NAME # \_\_\_\_\_

SIS # \_\_\_\_\_

AIA # \_\_\_\_\_


**132962 (TLC1210PN)**

 Meat and Fish Processing/  
 Washing Table with  
 perforated and removable  
 Plates, knife holder,  
 polythene cutting board,  
 drain, scraping hole and  
 upstand, 1200mm

### Short Form Specification

**Item No.** \_\_\_\_\_

50mm high worktop in 304 AISI stainless steel, 1,5mm in thickness, sound-deadened, anti-drip edges and welded corners. Integral radiused rear upstand, h=100mm with 10mm radius. All-round apron. Round section legs and feet in 304 AISI stainless steel, 50mm in diameter. N.1 polythene cutting board 730x225x25h mm, drain and waste scraping hole on front.

### Main Features

- Sturdiness, stability and reliability of table accurately tested.

### Construction

- Table can be equipped with a mobile bin with lid for waste disposal (optional accessory).
- Round section legs with feet in 304 AISI stainless steel, 50 mm in diameter, adjustable in height by +0/-40 mm.
- Unit features a 20 mm deep recessed surface, a polythene cutting board and a scraping hole on the front, perforated and sectionated removable tops, an easily removable GN liquid container and a knife holder. Knife sanitizer can be supplied as optional.

### Optional Accessories

- Lower shelf for 1200mm for units PNC 855282
- Set of 4 wheels (2 with brake) d. 100mm PNC 855288
- 3-sided underframe for 1200mm tables PNC 855290
- Elbow operated mixer tap with spout 3/4", single hole PNC 855322
- Elbow operated mixer tap with short spout 3/4", single hole PNC 855323
- Foot operated mixer tap (hot and cold) with spout 3/4" PNC 855328
- Floor fastening kit for 2 square legs PNC 865386

### Recommended Detergents

- S01 STAINLESS STEEL SURFACE POLISHER; 6 BOTTLES X 750ML C/T PNC 0S2881
- S03 ALCOHOL BASE DETERGENT; 6 BOTTLES X 750ML; ADR&IMDG&IATA Limited Quantity PNC 0S2883
- S04 GLASSES & HARD SURFACES CLEANERS; 6 BOTTLES X 750ML PNC 0S2884
- S05 - MULTIPURPOSE DEGREASER; 6PCS X 750ML; ADR&IMDG Limited Quantity PNC 0S3257

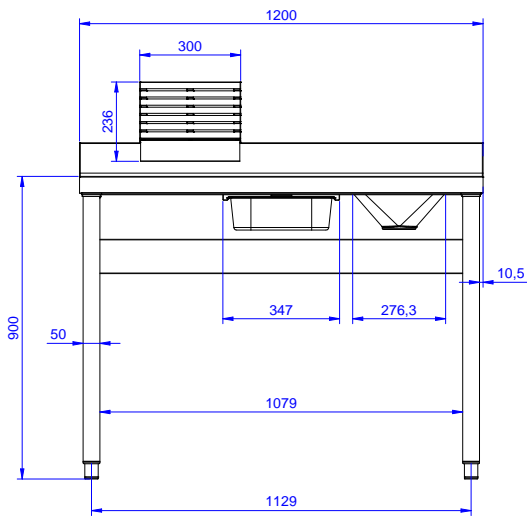
**APPROVAL:** \_\_\_\_\_



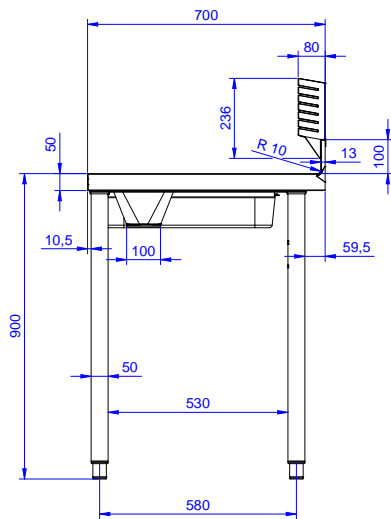
**Electrolux**  
PROFESSIONAL

## Premium Preparation 1200 mm Meat & Fish Processing/ Washing Table

Front

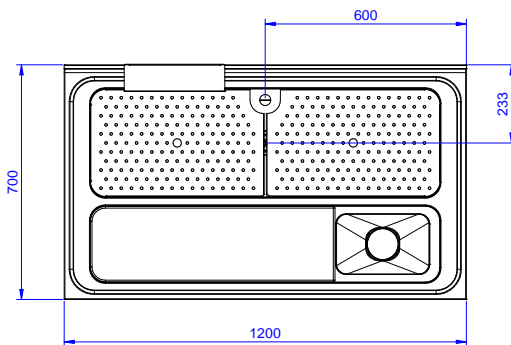


Side



D = Drain

Top



Premium Preparation  
1200 mm Meat & Fish Processing/Washing Table

The company reserves the right to make modifications to the products without prior notice. All information correct at time of printing.

2026.06.22

**Key Information:**

External dimensions, Width:	
132962 (TLC1210PN)	1200 mm
External dimensions, Depth:	700 mm
External dimensions, Height:	1000 mm
Upstand Dimensions, Height:	100 mm
Upstand Dimensions, Depth:	13 mm
Upstand Dimensions, Radius:	R=10
Bowls number	1
Bowl dimensions	1070x320xH180
Worktop thickness:	50 mm
Net weight:	40 kg